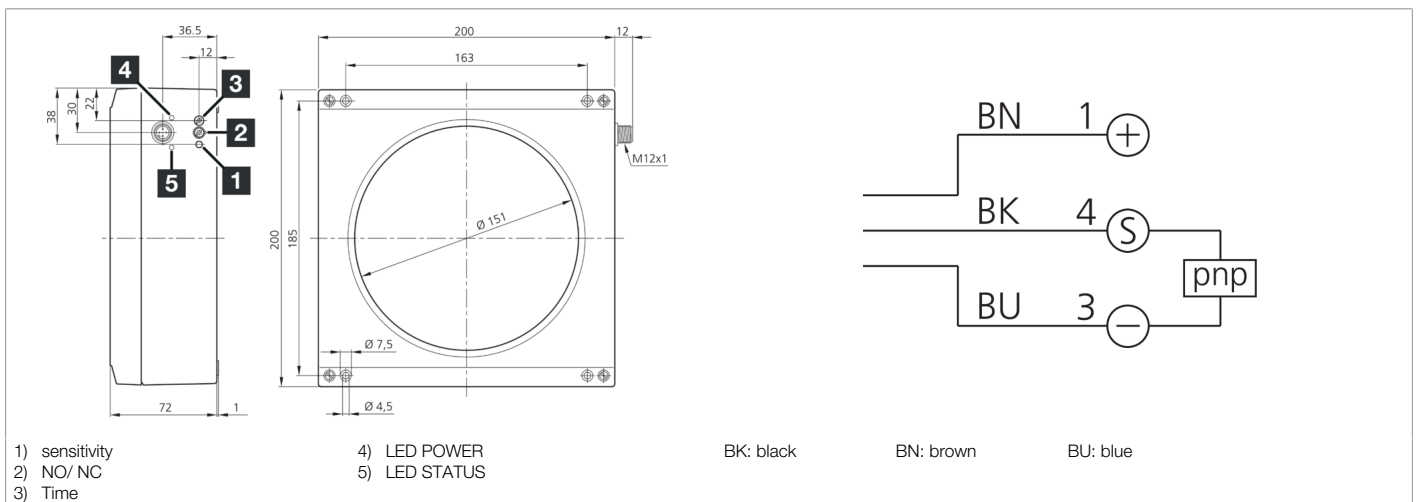
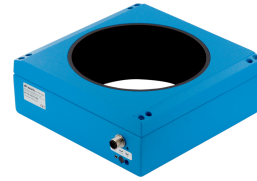




**204180**  
**IR 150 PSOK-IBS**  
**Inductive ring sensor**


- High resolution
- Short activation time
- Sensitivity and pulse stretching adjustable
- Resistant to dirt
- Static operating principle
- Metal connector
- High protection type



Function												

Technical data (typ.)	+20°C, 24 V DC
Service voltage	10 ... 35 V DC (Supply Class 2)
No-load current (max.)	15 mA
Insulation voltage endurance	1.000 V
Internal diameter	151 mm
Housing material	Die-cast aluminum
Material	POM (Ring)
Protection class	III, operation on protective low voltage
Operating principle	Static
Switching output	pnp, 200 mA, NO/NC, switchable
Voltage drop (max.)	2,0 V
Pulse stretching	10 ... 150 ms adjustable
Resolution	Ø 19,0 mm
Sensitivity adjustment	Potentiometer
Speed of parts (max.)	25 m/s
Activation time	0,50 ms
Release time	10 ms
Ambient temperature during operation	0 ... +50 °C
Protection type	IP 67
Connection	Connector, M12, 4-pin
Connection cable	VK ...

**More information / accessories**      <https://www.di-soric.com/204180>

A square QR code located to the left of the product information text.

204180  
IR 150 PSOK-IBS  
Inductive ring sensor