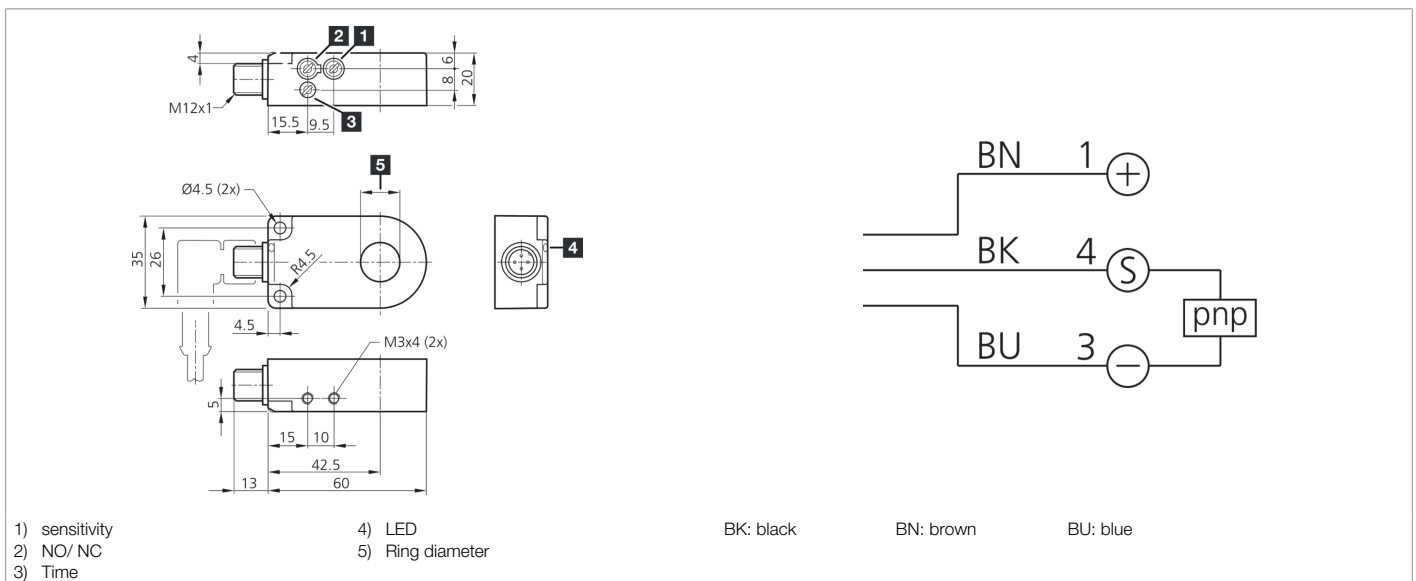




203559
IRD 15 PSOK-IBS
Inductive ring sensor

- High resolution
- Short activation time
- Sensitivity and pulse stretching adjustable
- Resistant to dirt
- Dynamic operating principle
- Metal connector
- High protection type



Function												
												

Technical data (typ.)	+20°C, 24 V DC
Service voltage	10 ... 35 V DC (Supply Class 2)
No-load current (max.)	11 mA
Insulation voltage endurance	1.000 V
Internal diameter	15,1 mm
Assembly distance to metal (min.)	5 mm
Housing material	Plastic (PA)
Material	POM (Ring)
Protection class	III, operation on protective low voltage
Operating principle	Dynamic
Switching output	pnp, 200 mA, NO/NC, switchable
Voltage drop (max.)	2,0 V
Pulse stretching	0,1 ... 150 ms adjustable
Resolution	Ø 0,8 mm
Sensitivity adjustment	Potentiometer
Speed of parts (max.)	35 m/s
Speed of parts (min.)	0,1 m/s
Activation time	0,20 ms
Release time	0,20 ms
Ambient temperature during operation	-25 ... +70 °C
Protection type	IP 67



203559
IRD 15 PSOK-IBS
Inductive ring sensor

Technical data (typ.)

+20°C, 24 V DC

Connection

Connector, M12, 4-pin

Connection cable

VK ...

More information / accessories

<https://www.di-soric.com/203559>